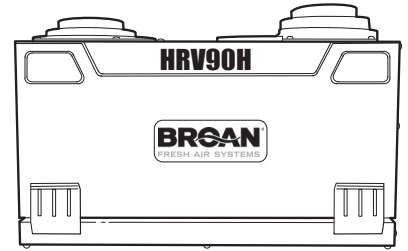


HRV90H FRESH AIR SYSTEM



FEATURES

- 20% smaller than comparable units / Designed for applications where space is critical, such as closet and utility rooms in condominiums, apartments, and pre-fabricated homes. Also has compact footprint design for an easy fit in mechanical rooms, closets, and other tight-fit applications. A versatile solution for the most demanding applications.
- State-of-the-art ventilation technology / Performance sized for new ventilation standards and will not over-dry the house. The most flexible Heat Recovery Ventilator (HRV) on the market.
- Bottom door opening / Design allows easy access from any angle.
- Side (HRV90HS) and top (HRV90HT) port configuration / Versatile design allows for vertical or horizontal configuration, facilitating installation and maintenance (factory-configured).
- Removable electric drawer / Easy maintenance of major sub-components.
- Interchangeable core / Allows unit to be changed from HRV to ERV in the summer.
- Convenient three-mode wall control (VT4W) (Optional) (Min/Max Intermittent: 20-min. On / 40-min. Off).



GENERAL SPECIFICATIONS

- For houses up to 3,000 sq. ft.
- 45 to 96 cfm (0.4 in. w.g.)
- Voltage: 120 VAC
- Frequency: 60 Hz
- Dimensions: 12.81" x 22.56" x 19.81"
- Weight: 39 lbs
- Shipping Weight: 42 lbs
- Warranty: 2 years on parts - 10 years on core
- HVI Rated of air flow: 106 cfm
- Power Consumed (max): 150 Watts
- Supply air duct connections: 5" diameter
- Exhaust air duct connections: 5" diameter
- Filter: 30 ppi washable reticulated foam
- Cabinet: 20 ga. Pre-painted steel
- Mounting: Suspension by chains and springs
- Wall control modes: Low/High Speeds
- Power: 150 Watts
- Current: 1.3 Amps
- Continuous duty, permanently lubricated motors
- 36" power cord

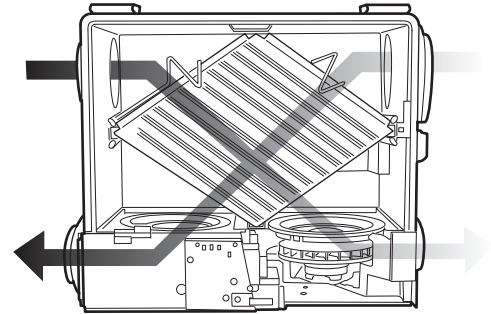
Broan-NuTone LLC Hartford, Wisconsin www.broan.com 800-558-1711

REFERENCE	QTY.	REMARKS	Project
			Location
			Architect
			Engineer
			Contractor
			Submitted by Date

MODEL HRV90H

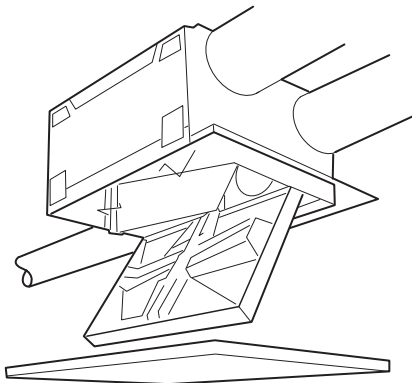
PERFORMANCE SPECIFICATIONS

Ventilation Performance							
External Static Pressure		Net Supply Airflow		Gross Airflow			
				Supply		Exhaust	
Pa	In. W.g.	L/s	cfm	L/s	cfm	L/s	cfm
25	0.1	52	110	52	110	57	122
50	0.2	50	106	50	106	55	116
75	0.3	48	101	48	102	53	113
100	0.4	45	96	46	97	50	107
125	0.5	43	92	43	92	48	103
150	0.6	41	87	41	87	45	96
175	0.7	38	81	38	81	43	91

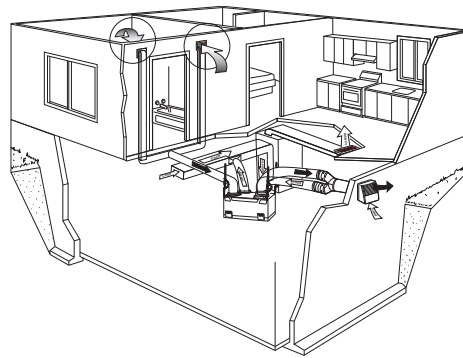


Energy Performance								
	Supply Temperature		Net Airflow		Average Power	Sensible Recovery Efficiency	Apparent Sensible Effectiveness	Latent Recovery Moisture Transfer
	C	F	L/s	cfm				
Heating	0	32	23	48	68	66	78	0.07
	0	32	30	63	82	65	76	0.04
	0	32	44	93	116	59	68	0.04
	-25	-13	30	63	110	55	81	0.08
						Total Recovery Efficiency		
Cooling	35	95			Not Tested			

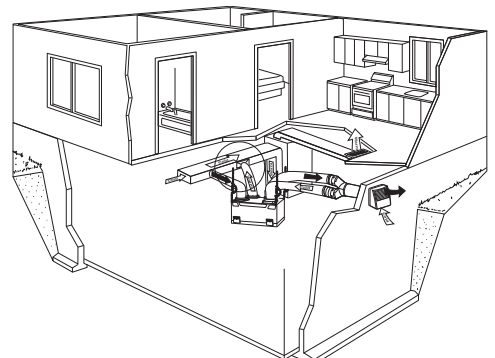
INSTALLATION OPTIONS



**Bulkhead Installation
(Mechanical Room)**



**Direct Exhaust
- Return Connection**



**Return-Return
Connection**

